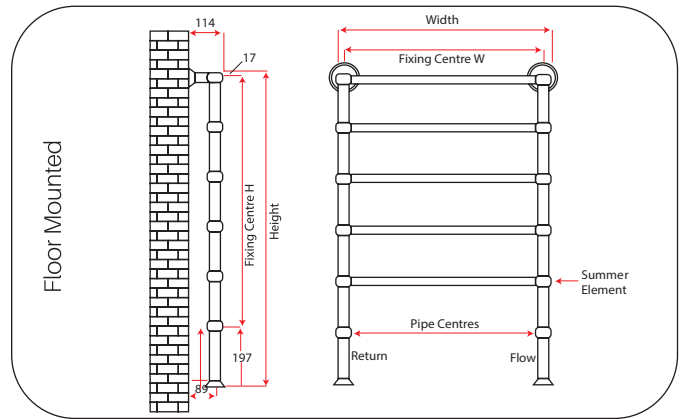


- All the dimensions are shown in millimetres
- Tube dia 25mm
- Header tube dia 25mm
- Bracket length - 50mm
- ½ inch BSP bottom opposite end connections
- Test pressure: 10 Bar
- Max working temperature: 8 Bar
- Heat output - in accordance with EN 442

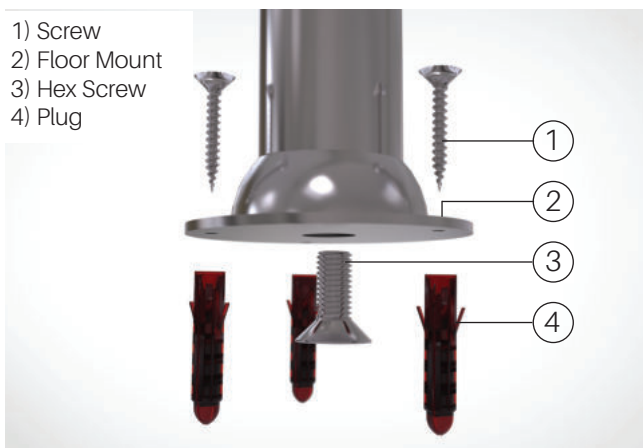
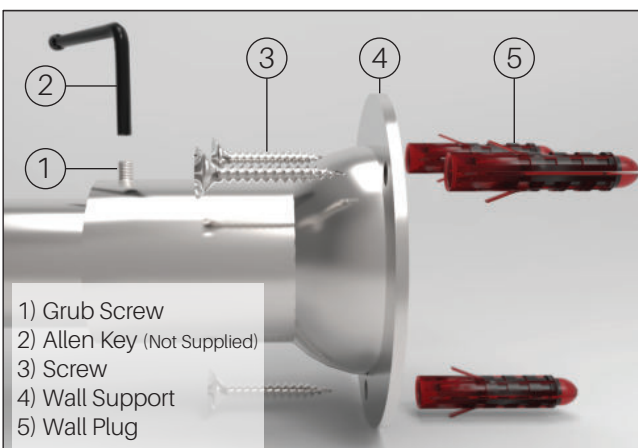
**Please Note:**

- Please allow minimum of 100mm for valves
- Summer Element use will affect pipe centres
- Not suitable for use on domestic hot water system
- The flow and return can be reversed



Edwardian Floor	Water Content (L)	Weight (KG)	Pipe Centres +/- 2mm	Fixing Centres (H) +/- 2mm	Fixing Centres (W) +/- 2mm	Height (mm)	Width (mm)
RXED-1000700	2.8	5.7	600 minus valves	983	650	1000	700
Edwardian wall							
RXED-0480480	1.2	2.6	430	446	430	480	480
RXED-0920600	2.5	5.1	550	886	550	920	600
RXED-1140500	3.1	6.7	450	1106	450	1140	500

## Installation:



- Step 1:** Select the desired mounting position, make sure the wall is adequate to take the fixing points of the rail i.e anchor points must be securely attached to a stud or masonry.
- Step 2:** Loosely screw the wall support (Part 2) into the wall using the wall screw (5) and washer. Use wall plug (1) if you are fixing into masonry. Do not tighten fully.
- Step 3:** Manoeuvre the rail back onto the bracket and tighten with the grub screw (3).

**Cleaning:**

- Do not use any abrasive or chemical cleaners to clean the radiators as this will cause damage to the surface finish. Please use warm water and a damp cloth.
- Do not clean when hot.